

GRUNDIG

R 57

4090 WE
4095 WE
8050/8066 WE
8085/9070 WE
9072/9080 WE

Repair Manual

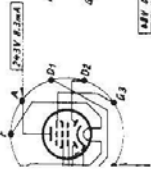
IF-Alignment 468 kc

Wave range, variable capacitor setting	Coupling of signal generator	Alignment	Sensitivity	Remarks
SW 1, turned in	G ₁ EBF 89	IF-transformer 7206-107 I and II maximum	2.5 mV	The receiver is to be aligned set to "narrow" bandwidth. At position "wide" the coil lift has to rest at the stop. IF-Selectivity; narrow: 1 : 10 000 IF-Bandwidth: 2.5 . . . 12.5 kc
	G ₂ EF 89	IF-transformer 7206-109 III and IV maximum	70 μV	
	G ₃ ECH 81	IF-transformer 7207-106 V and VI maximum	6 μV	
MW half intermeshed	to aerial	VII inner minimum		Locking depth: 1 : 25
MW 1 Mc	G ₁ ECH 81		8 . . . 12 μV	Mixing Sensitivity

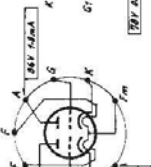
Oscillator and Input Circuit Alignment

Wave range, frequency pointer setting	Oscillator	Input circuit	Oscillating current μA	Sensitivity μV	Image suppression	Remarks
MW	1 maximum	inner 2 maximum	290 . . . 430	5	1 : 160 1 : 340	fo > fi Sensitivity is measured with fully turned on controls Pointer should be set to 510 kc
	3 maximum	4 maximum				
SW I	5 maximum	6 maximum	380 . . . 430	4	1 : 11 1 : 15	
	7 maximum	8 maximum				
SW II	9 maximum	inner 10 maximum	260 . . . 340	8 . . . 12	1 : 4 . . . 1 : 8	
	11 maximum	12 maximum				
SW III	13 maximum	14 maximum	330 . . . 360	4	1 : 12	
	15 maximum	16 maximum				
SW IV	17 maximum	18 maximum	400	4	1 : 12	
	19 maximum	20 maximum				
SW V	21 maximum	22 maximum	280 . . . 300	4	1 : 10	
	23 maximum	24 maximum				
SW VI	25 maximum	26 maximum	270 . . . 290	5	1 : 9	
	27 maximum	28 maximum				

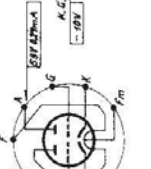
EBF 89
3V 0.3A



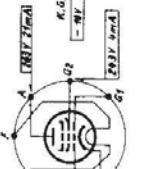
ECC 81
6.3V 0.3A



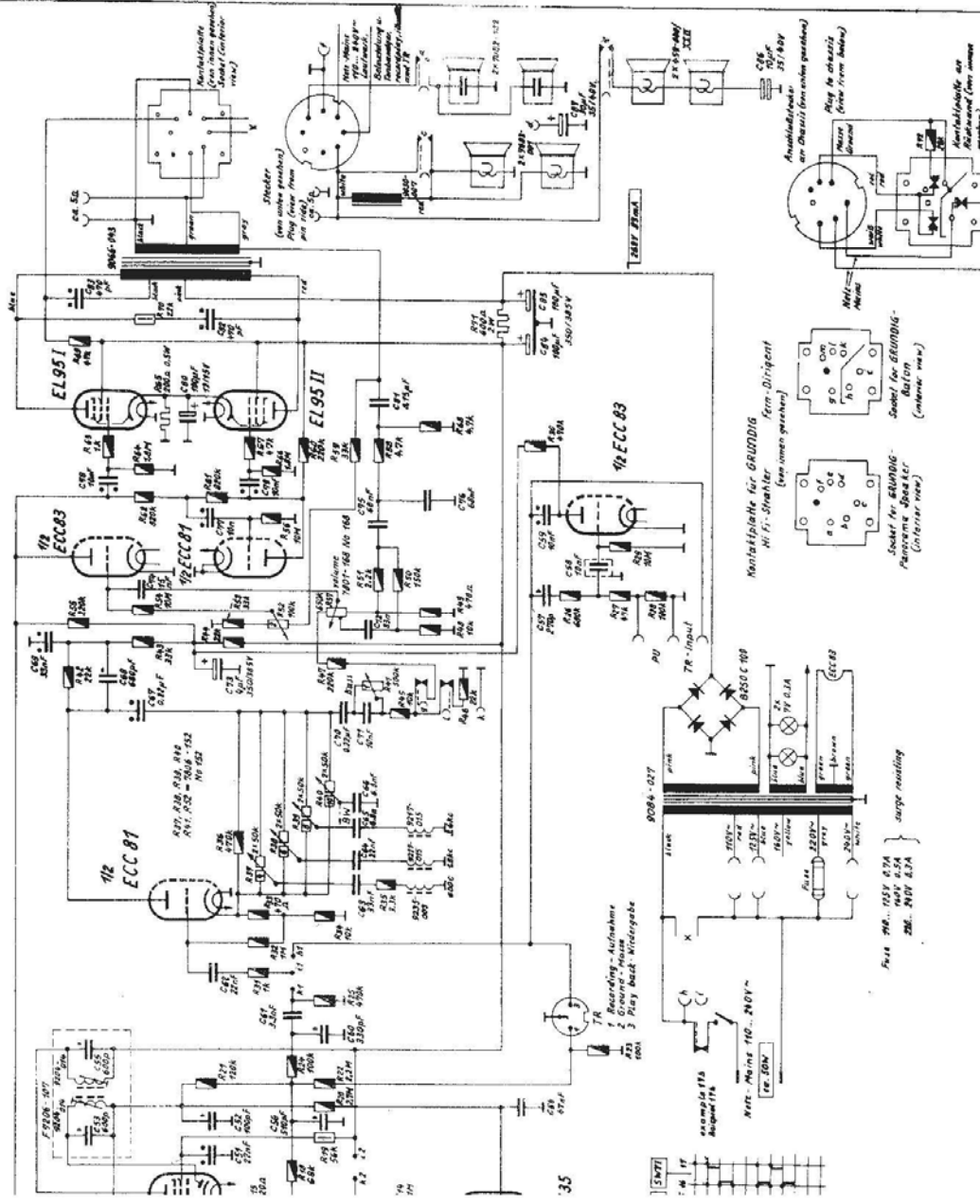
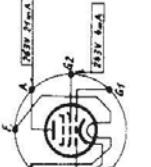
ECC 83
6.3V 0.3A



EL95 II
6.3V 0.2A



EL95 I
6.3V 0.2A



Anschluß für GRUNDIG Fern-Dirigent
 Anschluss für GRUNDIG Fern-Dirigent
 Anschluss für GRUNDIG Fern-Dirigent

31157

57. 5.1.52, 54, 56, 55,	60, 61, 62	63,	64,	65,	66	70.71, 62, 63, 64, 65, 66, 67, 68, 69, 70, 71, 72, 73, 74, 75, 76, 77, 78, 79, 80, 81, 82, 83, 84, 85, 86, 87, 88, 89, 90, 91, 92, 93, 94, 95, 96, 97, 98, 99, 100
19. 10,	20,	21, 22, 23, 24,	25, 26, 27, 28, 29,	30, 31, 32, 33, 34,	35, 36, 37, 38, 39, 40, 41, 42, 43, 44, 45, 46, 47, 48, 49, 50, 51, 52, 53, 54, 55, 56, 57, 58, 59, 60, 61, 62, 63, 64, 65, 66, 67, 68, 69, 70, 71, 72, 73, 74, 75, 76, 77, 78, 79, 80, 81, 82, 83, 84, 85, 86, 87, 88, 89, 90, 91, 92, 93, 94, 95, 96, 97, 98, 99, 100	